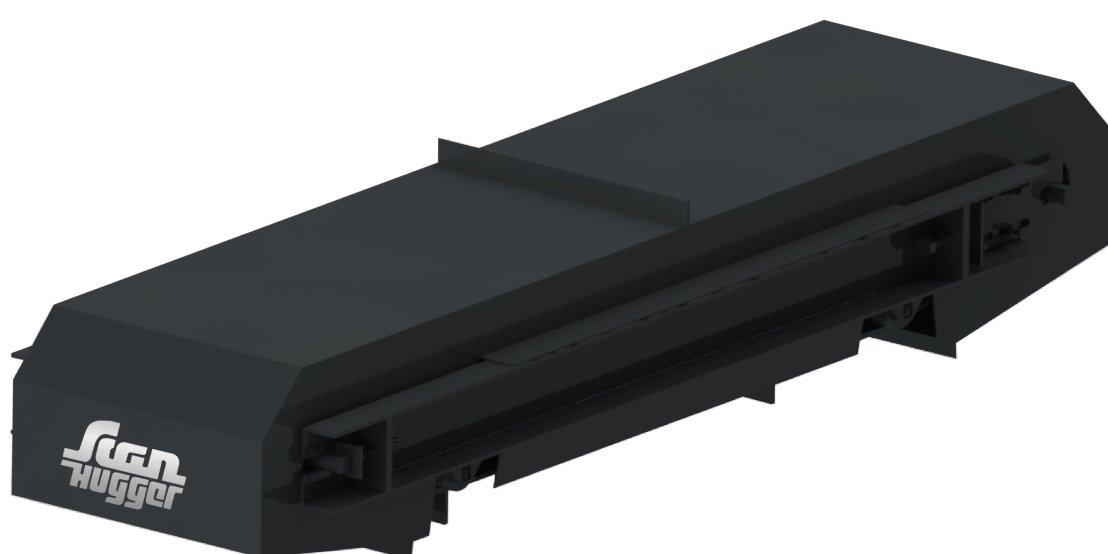


Scanhugger BM095 / BM120



The overband magnet is placed over a belt conveyor. The permanent magnet removes ferrous particles from the material flow passing underneath it and drops the ferrous particles into a tray or container next to the underlying conveyor.

MAGNET DIMENSIONS BM095

545 x 280 x 95 mm

MAGNET DIMENSIONS BM120

600 x 300 x 120 mm

CATCH PROCENTAGE (M5 x 20 screw)

92 - 99 %

BELT SPEED

0,80 m/sec

BELT WIDTH

350 mm

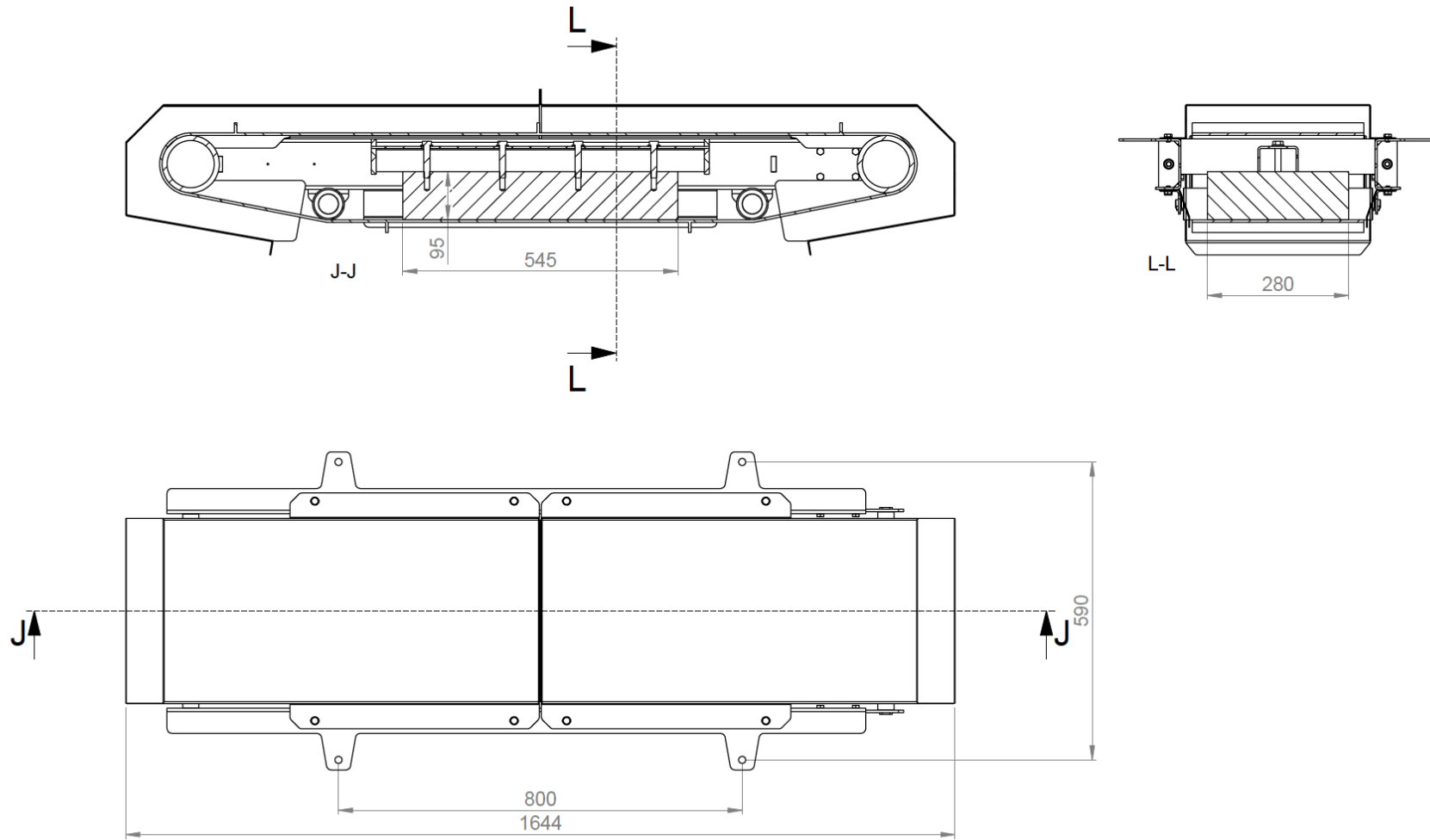
WEIGHT BM095

150 kg

WEIGHT BM120

185 kg

BM095



BM120

