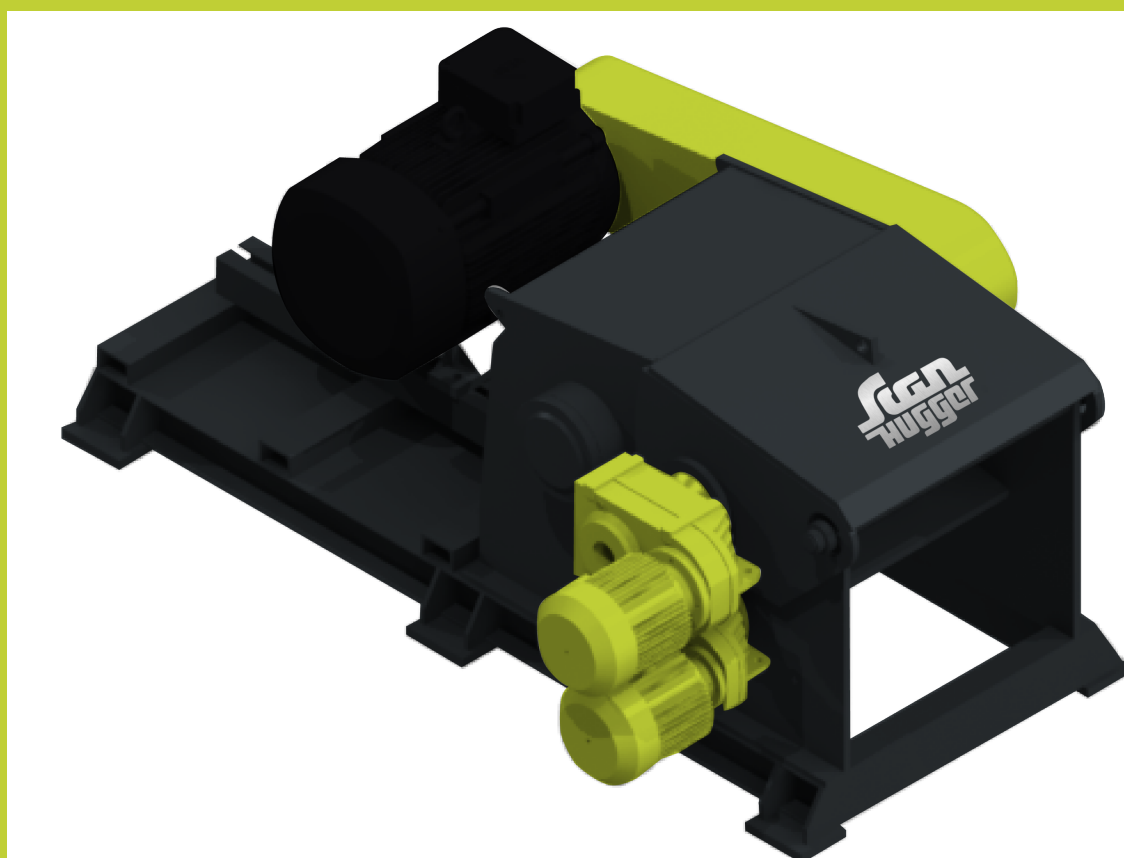


Scanhugger HT 45/45/2



The horizontal shredder is available with two cutting systems. The standard rotor system is a solid, precision machined steel drum ideal for chipping solid wood slabs, edgings, and off-cuts to a defined chip size. The second rotor system is a solid steel drum with a precision mounting arrangement of four-sided knife blocks ideal for processing particleboard, MDF and plywood scrap.

INFEED SIZE

130 x 430 mm

INFEED SPEED

25 - 40 m / min

ROTOR SPEED

900 RPM

ROTOR DIAMETER

450 mm

CHIP SIZE

10 - 30 mm

MAIN MOTOR

30 - 55 kW

WEIGHT

2500 kg

