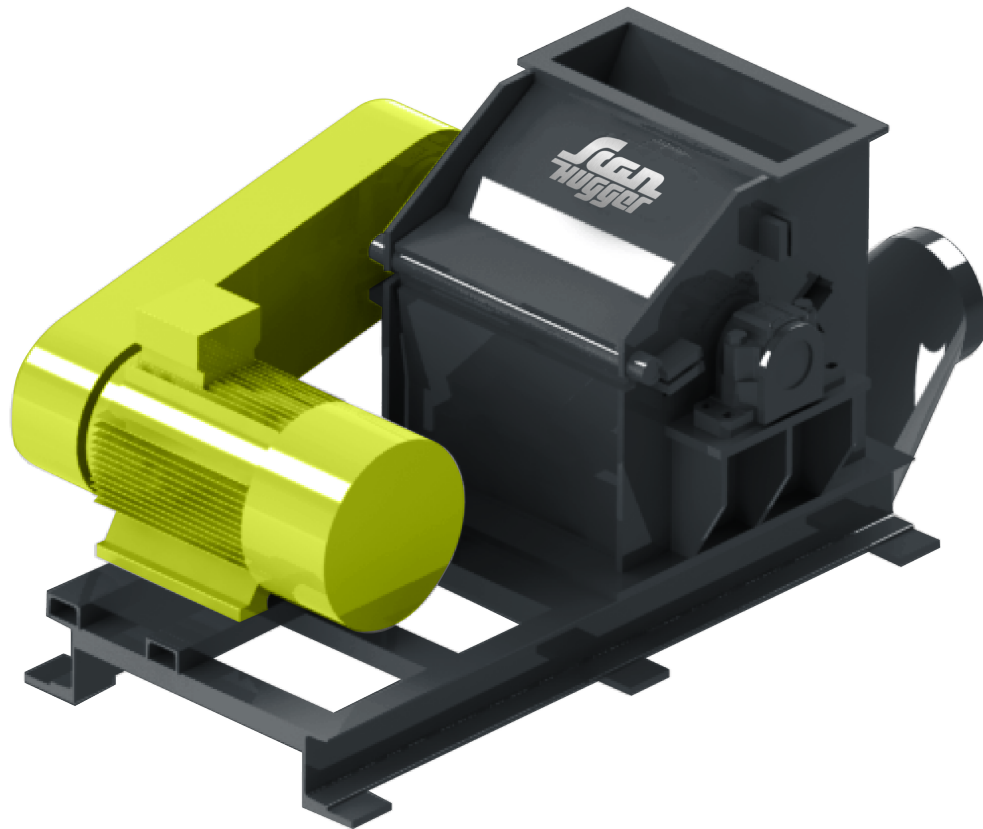


Scanhugger HT 35/30



With the secondary shredder from Scanhugger, you'll have a superior granulate that's ideal for briquetting or pellets. With a Scanhugger HT or HL shredder in front of the re-shredder and you'll have a premium product ready for sale, pellets and briquet production. The HT 35/30 re-shredder is available with two different cutting systems.

INFEED SIZE

195 x 350 mm

CAPACITY

200 - 700 m / min

ROTOR SPEED

1750 RPM

ROTOR DIAMETER

350 mm

CHIP SIZE

10 - 30 mm

MAIN MOTOR

18.5 - 30 kW

WEIGHT

1150 kg

