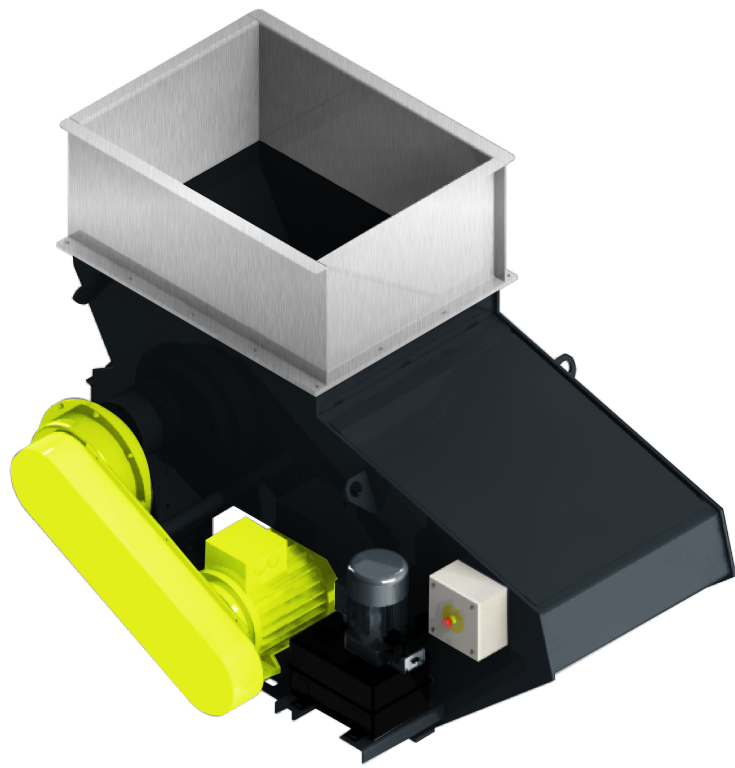


Scanhugger HL 3/12/16



The Scanhugger HL 3/12/16 is a cost-effective wood shredder with an output of up to 850 kg/hour. The wood shredder is designed for a large range of wood waste, ranging from hard- and softwood, trim blocks, particleboard, MDF, furniture parts, paper, and cardboard.

INFEED SIZE

1253 x 1600 mm

ROTOR SPEED

85 RPM

SOUND LEVEL

81 dB

MAIN MOTOR

18.5 - 30 kW

CHIP SIZE

20 - 50 mm

CAPACITY

200 - 850 kg/h *

WEIGHT

3400 kg

* The capacity depends on different factors like: Density and humidity of the material, load factor, size of the material, motor size, size of screen holes etc.