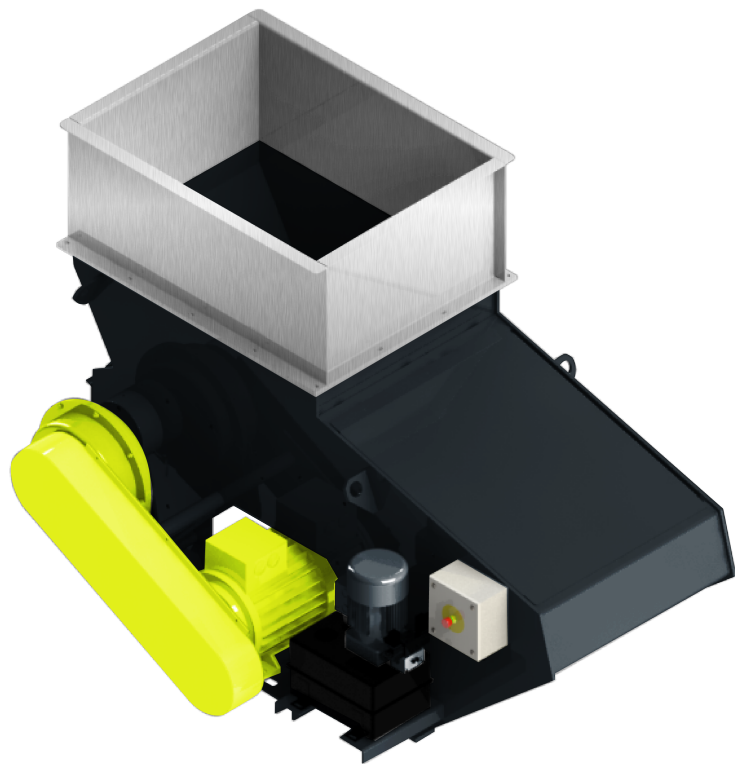


TECHNICAL ALTERATIONS RESERVED

Scanhugger HL 3/10/10



The Scanhugger HL 3/10/10 is a cost-effective shredder with an output of up to 760 kg/hour. The shredder is designed for a large range of wood waste, ranging from hard- and softwood, trim blocks, particleboard, MDF, furniture parts, paper, and cardboard.

INFEED SIZE

1074 x 1007 mm

ROTOR SPEED

85 RPM

SOUND LEVEL

81 dB

MAIN MOTOR

15 - 22 kW

CHIP SIZE

20 - 55 mm

CAPACITY

200 - 760 kg/h *

WEIGHT

2200 kg

* The capacity depends on different factors like: Density and humidity of the material, load factor, size of the material, motor size, size of screen holes etc.