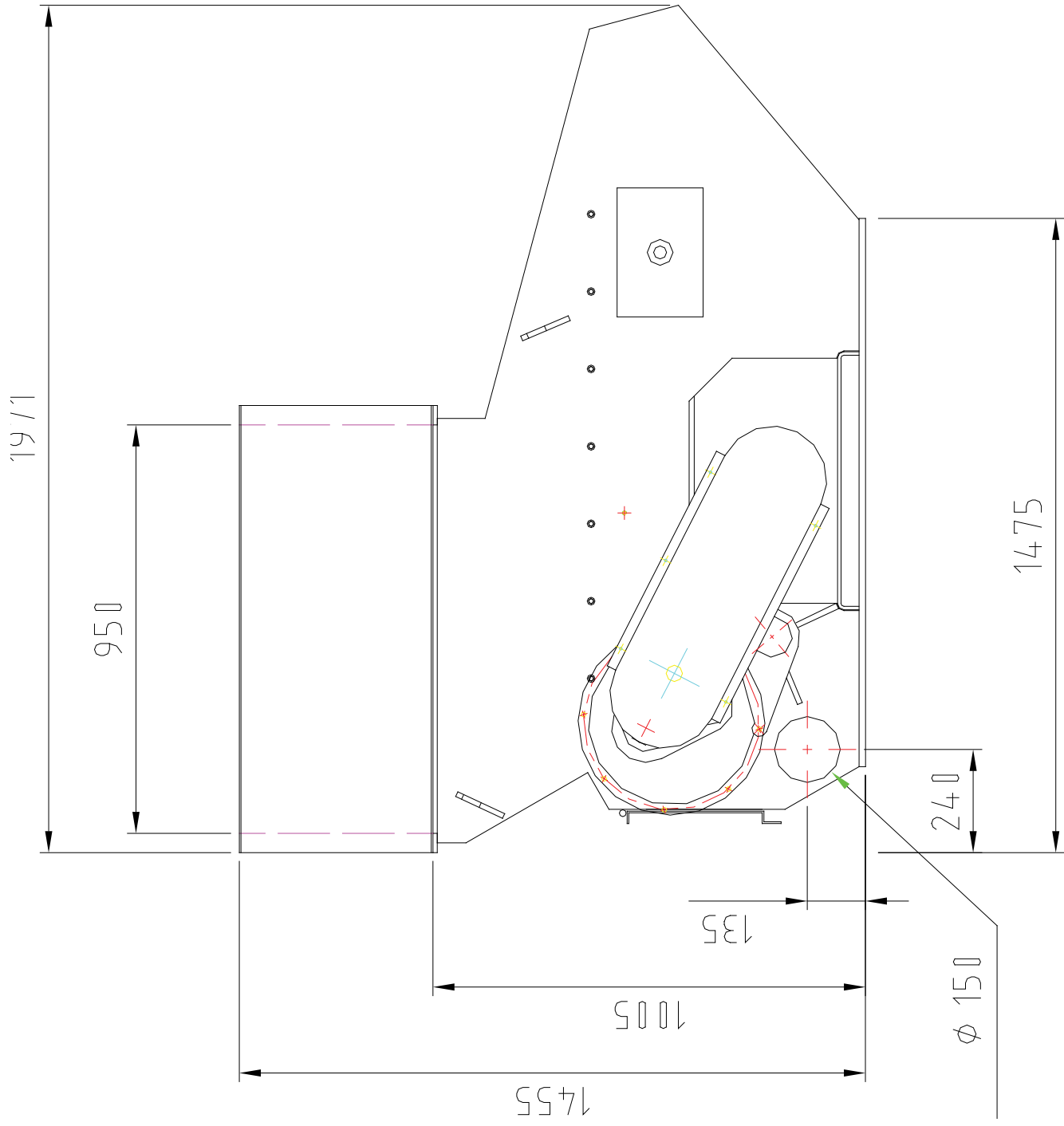
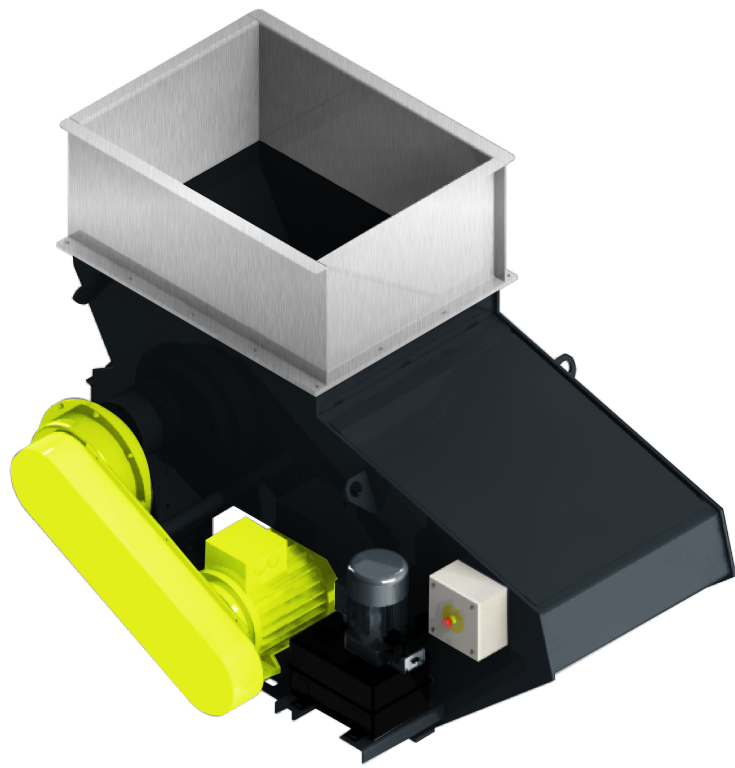


TECHNICAL ALTERATIONS RESERVED



Scanhugger HL 2/7/10



The Scanhugger HL 2/7/10 is the smallest shredder we offer. The cost-effective shredder with an output of up to 200 kg/hour and small footprint makes it an ideal choice for inhouse production. The shredder is designed for a large range of wood waste, ranging from hard and softwood, trim blocks, particleboard, MDF, furniture parts, paper, and cardboard.

INFEED SIZE

721 x 1007 mm

ROTOR SPEED

100 RPM

SOUND LEVEL

81 dB

MAIN MOTOR

7.5 - 11 kW

CHIP SIZE

20 - 40 mm

CAPACITY

130 - 200 kg/h *

WEIGHT

1300 kg

* The capacity depends on different factors like: Density and humidity of the material, load factor, size of the material, motor size, size of screen holes etc.